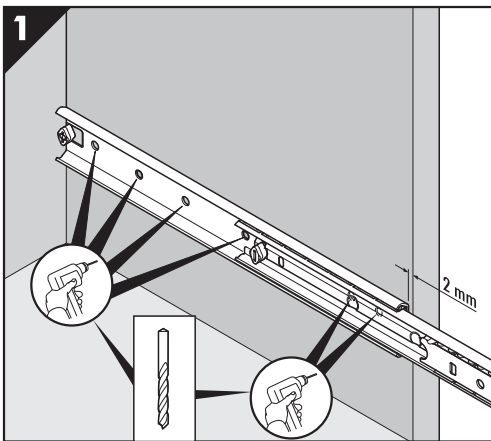
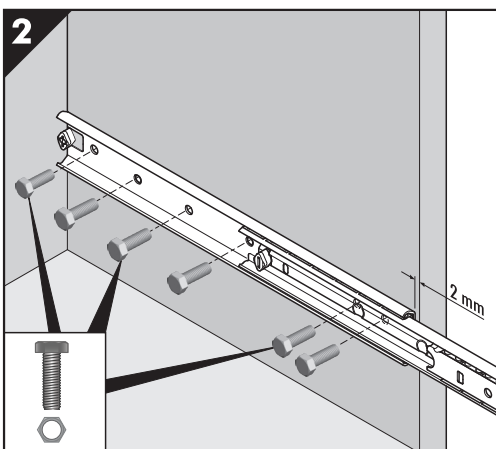


Installation Instructions



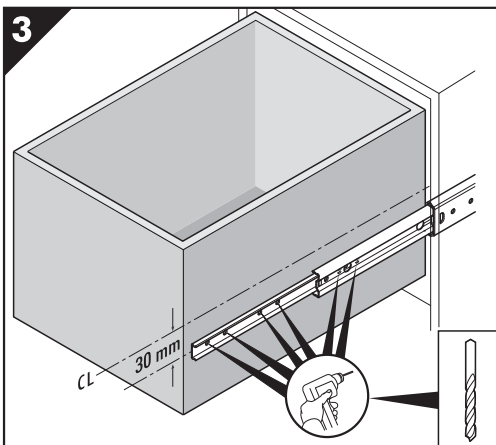
Marking holes to fix the external member of the slide to the cabinet.
When marking hole placements you **MUST NOT** drill through the slide holes during installation. Doing this will create metal filings which lodge in the tracks resulting in rough running and ultimately, failure of the slides.

Hole locations and quantity are indicative purpose only.



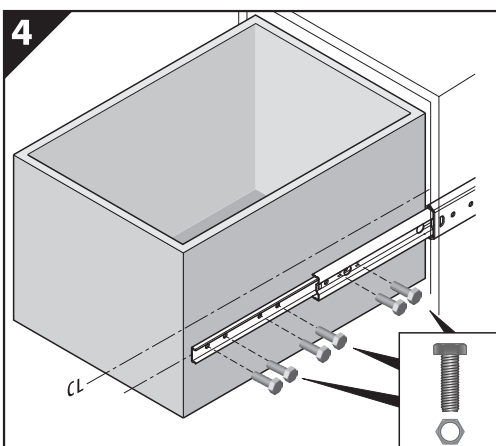
Affix nuts & bolts to the slides inside of the cabinet unit through slide holes and make sure both slides are mounted vertically and horizontally parallel. Use as many nuts & bolts as you think is necessary for the cabinet unit.

The slides can also be welded to the cabinet depending on its application.



Marking holes to fix the internal member of the slide to the drawer. When marking hole placements you **MUST NOT** drill through the slide holes during installation. Doing this will create metal filings which lodge in the tracks resulting in rough running and ultimately, failure of the slides.

Hole locations and quantity are indicative purpose only.



Affix nuts and bolts to the drawer unit. The drawer should slide in without issue.

Once this is done, repeat starting from step 1 for all remaining drawers.

Our slides are designed to be mounted horizontally and paired side by side. Mounting them vertically one above the other or in a flat position will void the warranty.

The slides can also be welded to the cabinet depending on its application.